

# NEWALL

## Kit Contents Universal Bracket Kit 3 - Metric Part No: UBK03-M

This kit mounts two Microsyn/MHG Reader Heads



ED-2768/10  
Angle 3x3" (1)



ED-2768/2  
Flat Plate Slotted (1)



294-35530  
Large Flat Plate (1)



294-35540  
Micro Angle (1)



294-35550  
Micro Plate (1)



Cable Ties (10)

M6 x 25 Cap Head Screw (4)

M4 x 25 Cap Head Screw (4)

M4 x 12 Grub Screw (12)

M4 x 10 Cap Head Screw (4)

M6 Washer (12)

M6 x 20 Cap Head Screw (10)


M4 x 20 Cap Head Screw (4)

M6 Nut (2)

M6 x 20 Grub Screw (4)

M4 Washer (4)

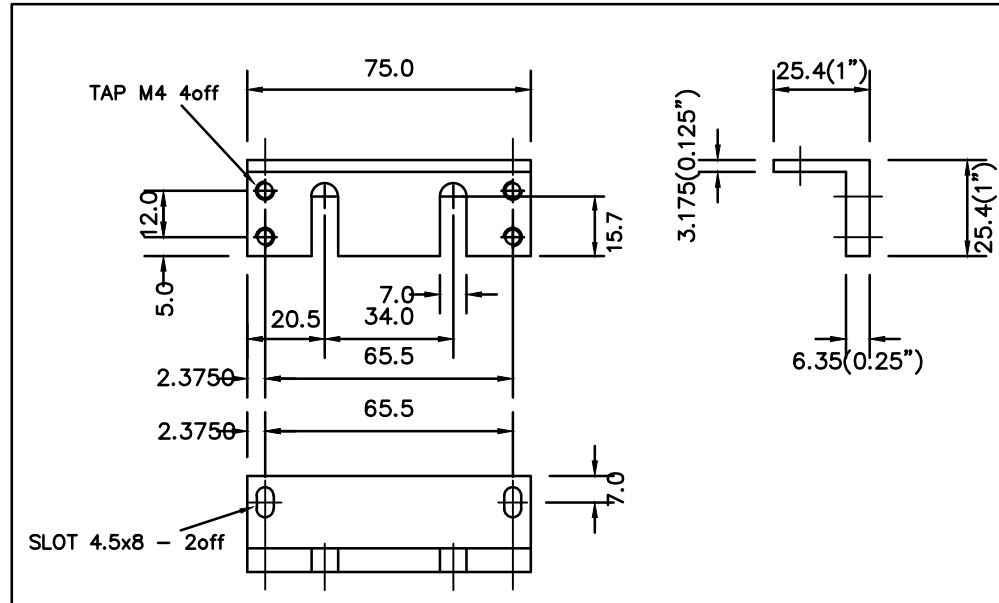
note: some modification of brackets may be necessary during installation.

			TITLE. <u>KIT CONTENTS UBK03-M</u>			MATERIAL/FINISH. -----			SCALE N/A		UNLESS OTHERWISE STATED:- TOLERANCES:- 0 DECIMAL PLACES ±0.5 1 DECIMAL PLACE ±0.2 2 DECIMAL PLACES ±0.1 ANGULAR ±1°				
7	10/03/15	9451	CHANGED TO METRIC KIT	CWh	DRAWN C.WHITMORE	08-01-14	 Leicester England			SHEET 1 OF 3		DRAWING NUMBER 023-81890		REV. ISS. 1	
REV.ISS.	DATE	C.N.No.	ALTERATION	CHECKED	APPROVED					THIS DRAWING IS THE PROPERTY OF NEWALL MEASUREMENT SYSTEMS LIMITED. THE INFORMATION THEREON MAY NOT BE COPIED OR USED WITHOUT WRITTEN PERMISSION					

# NEWALL

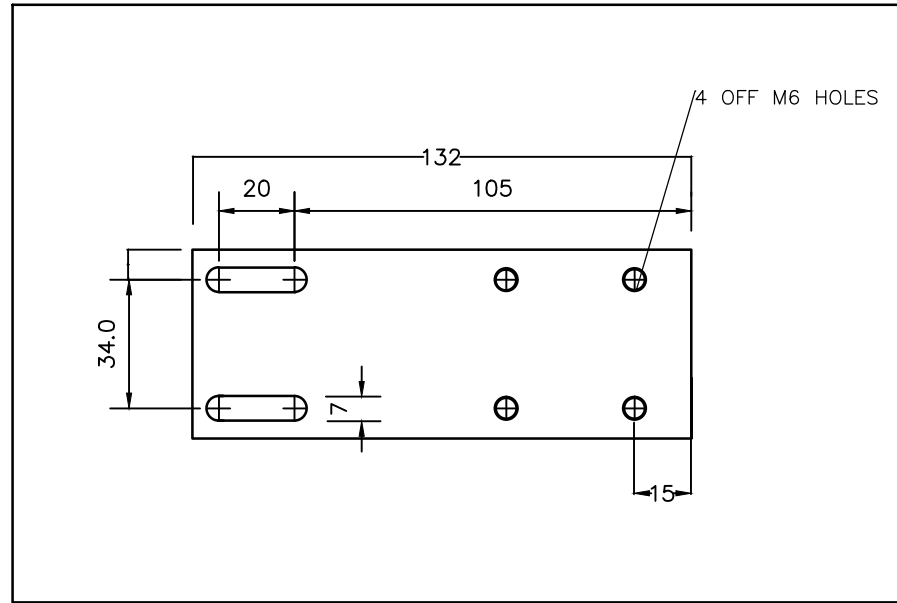
## Kit Contents Universal Bracket Kit 3 - Metric Part No: UBK03-M

294-35540  
Micro Angle (1)



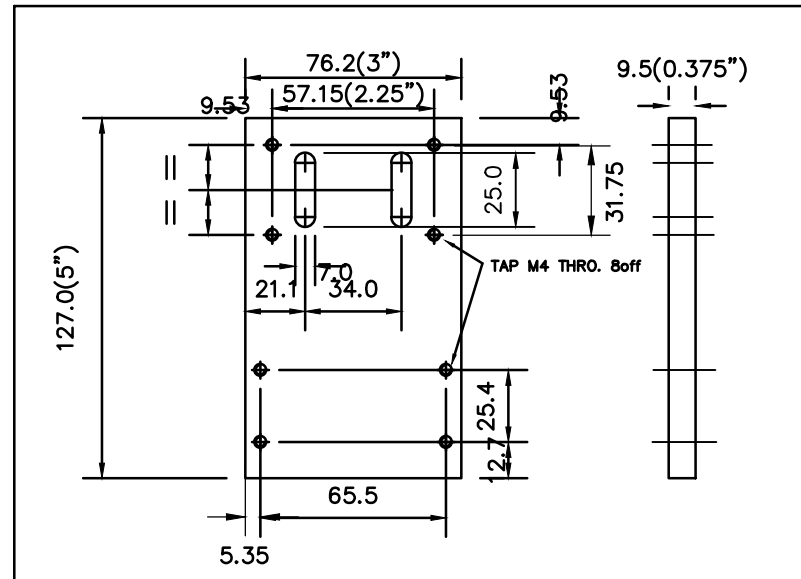
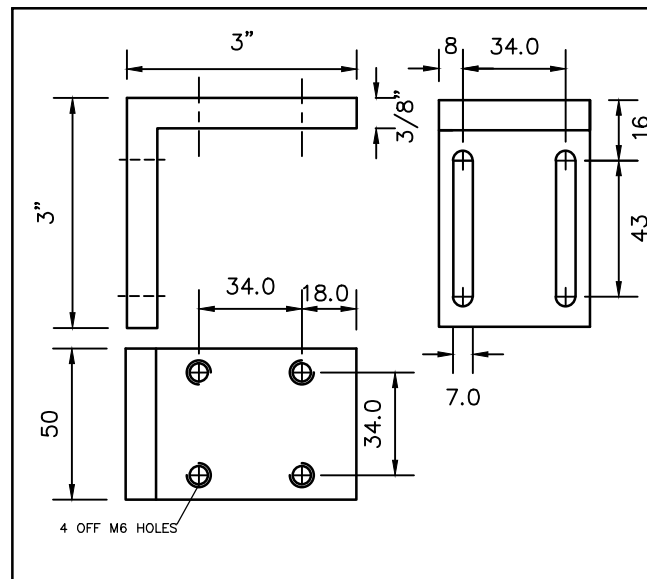
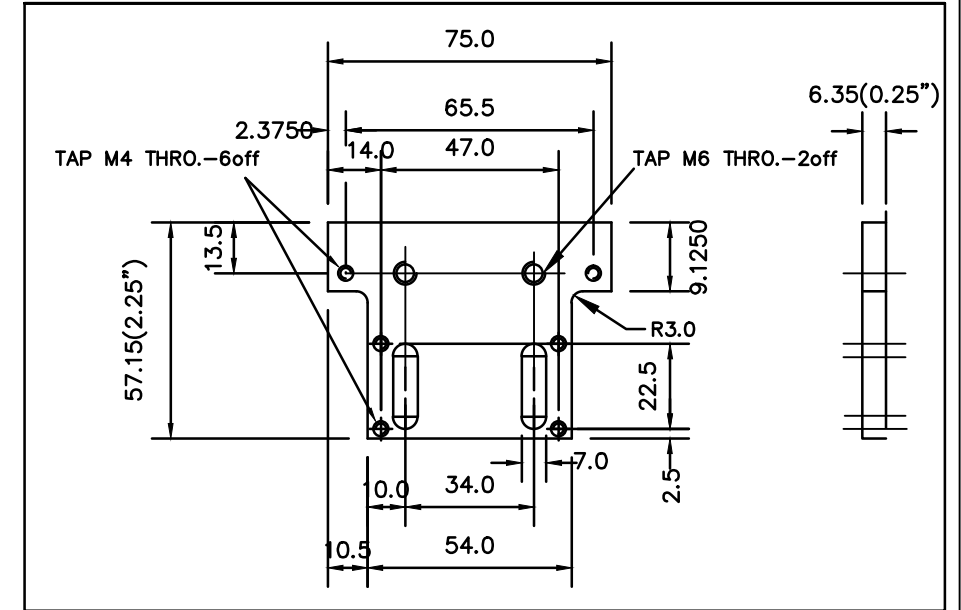
ED2768/10  
Angle 3x3" (1)

ED-2768/2  
Flat Plate Slotted (1)



294-35530  
Large Flat Plate (1)

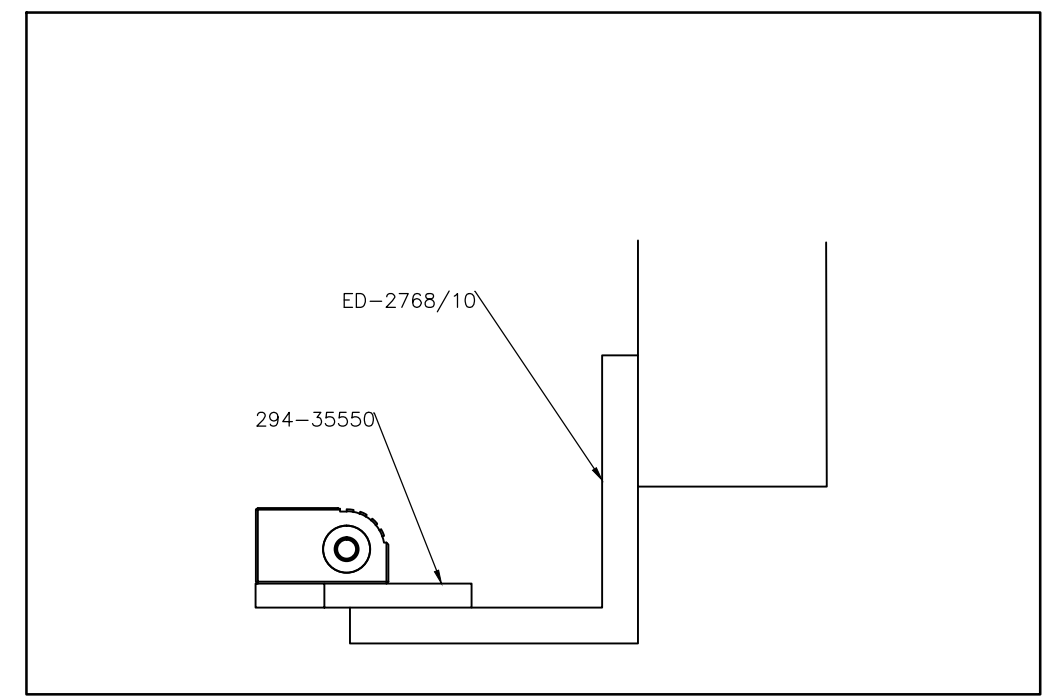
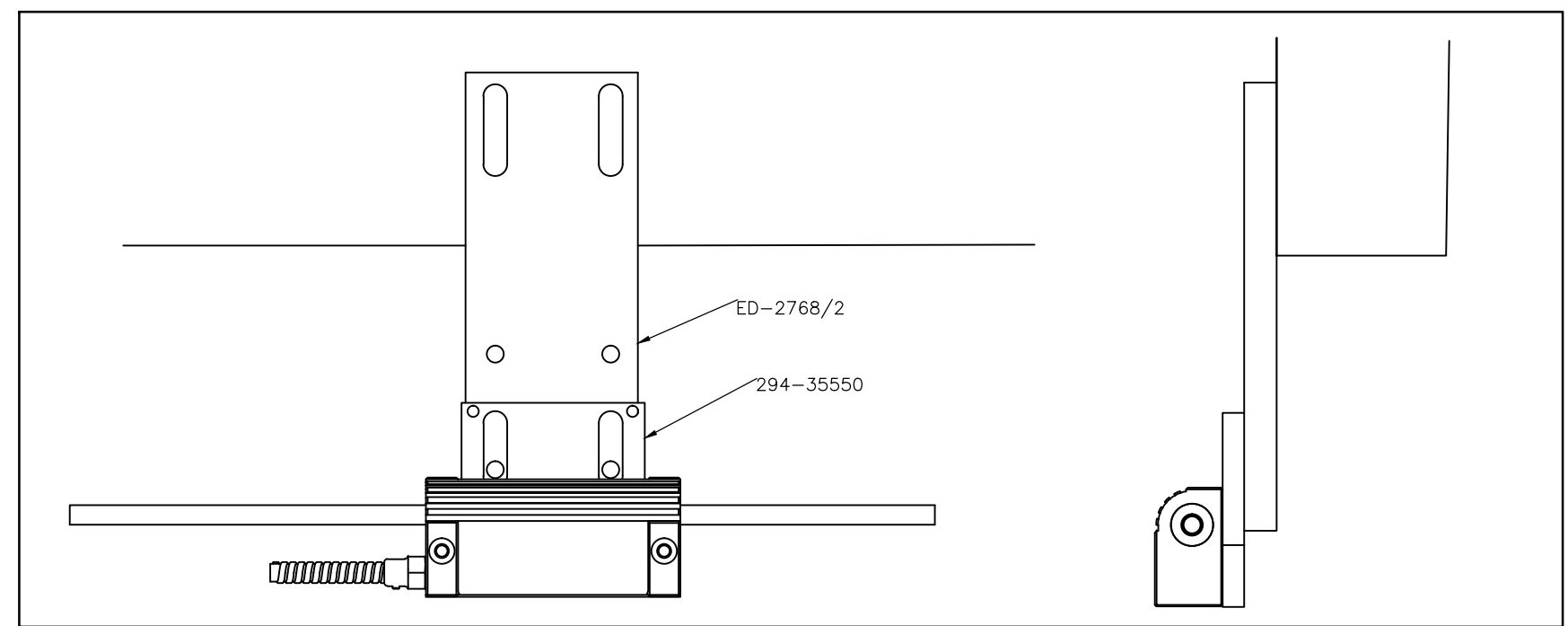
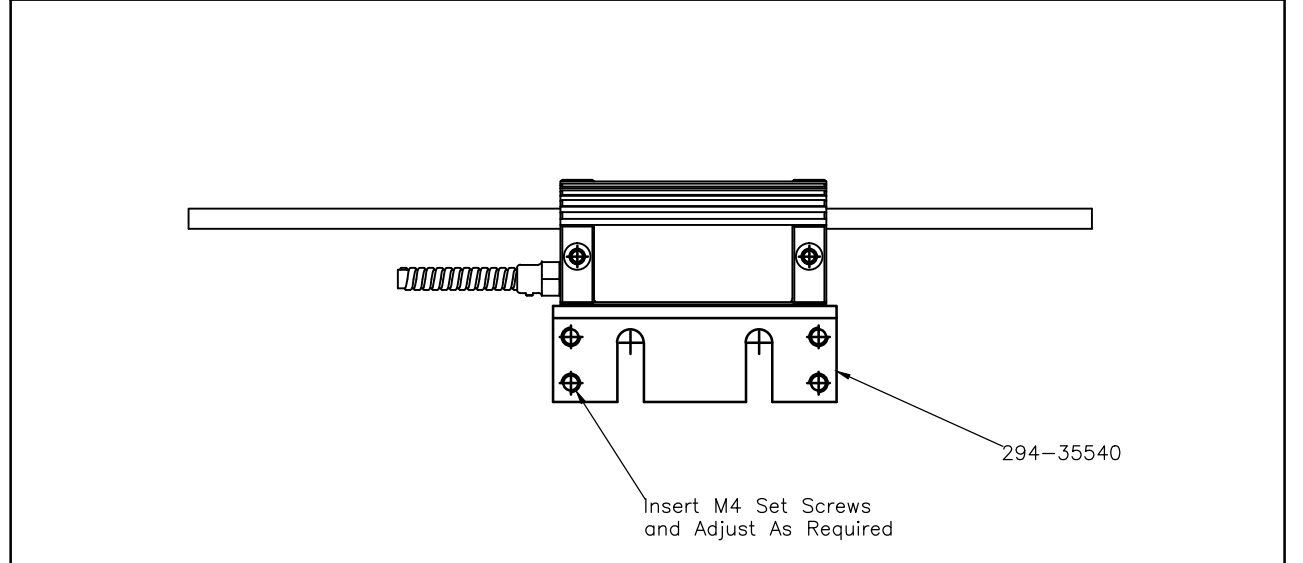
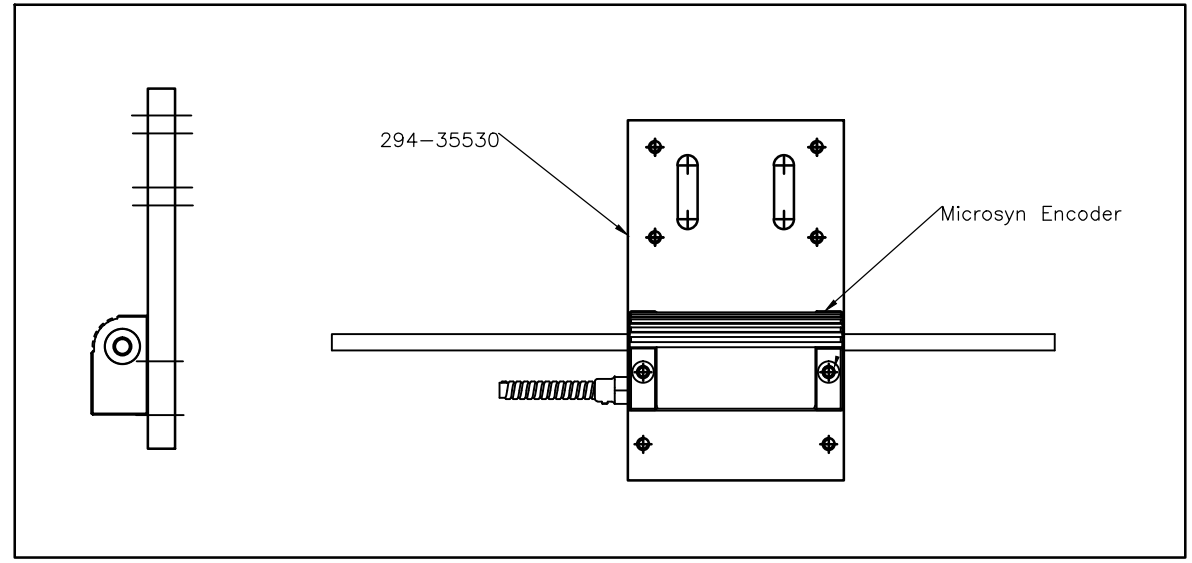
294-35550  
Micro Plate (1)




				TITLE: <i>KIT CONTENTS UBK03-M</i>		MATERIAL/FINISH: -----		SCALE: N/A		UNLESS OTHERWISE STATED: -		TOLERANCES: - 0 DECIMAL PLACES ±0.5 1 DECIMAL PLACE ±0.2 2 DECIMAL PLACES ±0.1 ANGULAR ±1°	
7	10/03/15	9451	CHANGED TO METRIC KIT	CWh	DRAWN C.WHITMORE	08-01-14	 Leicestershire England		SHEET 2 OF 3		DRAWING NUMBER 023-81890		REV. ISS. 1
REV. ISS.	DATE	C.N.No.	ALTERATION	CHECKED	APPROVED	THIS DRAWING IS THE PROPERTY OF NEWALL MEASUREMENT SYSTEMS LIMITED. THE INFORMATION THEREON MAY NOT BE COPIED OR USED WITHOUT WRITTEN PERMISSION							

# NEWALL

## Kit Contents Universal Bracket Kit 3 - Metric Part No: UBK03-M



				TITLE. <i>KIT CONTENTS UBK03-M</i>			MATERIAL/FINISH. -----		SCALE N/A	UNLESS OTHERWISE STATED: -		TOLERANCES: - 0 DECIMAL PLACES ±0.5 1 DECIMAL PLACE ±0.2 2 DECIMAL PLACES ±0.1 ANGULAR ±1°	
7	10/03/15	9451	CHANGED TO METRIC KIT	CWh	DRAWN C.WHITMORE	08-01-14			SHEET 3 OF 3 DRAWING NUMBER 023-81890		REV. 1 ISS.		
REV.ISS.	DATE	C.N.No.	ALTERATION	DRAWN	CHECKED	APPROVED							THIS DRAWING IS THE PROPERTY OF NEWALL MEASUREMENT SYSTEMS LIMITED. THE INFORMATION THEREON MAY NOT BE COPIED OR USED WITHOUT WRITTEN PERMISSION