

NEWALL

Kit Contents Universal Bracket Kit 1 - Metric Part No: UBK01-M

This kit mounts two Spherosyn/SHG/DSG Reader Heads.



ED-2768/10
Angle 3X3" (1)



ED-2768/2
Flat Plate Slotted (1)



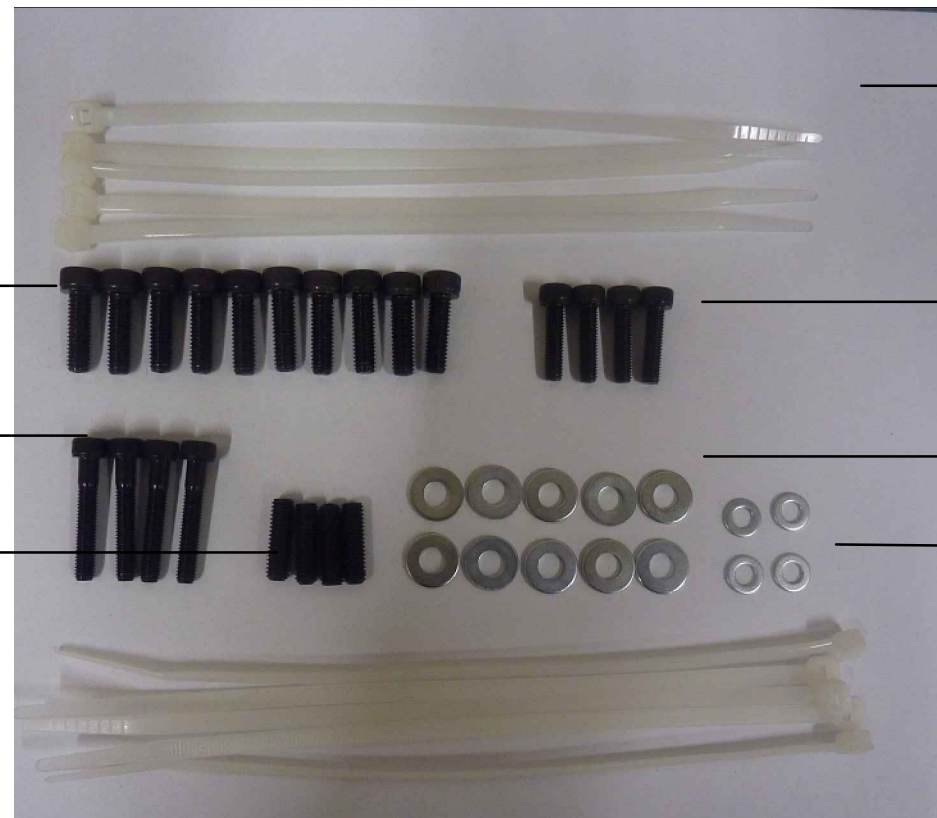
ED-2768/4
Flat Plate (1)



ED-2768/3
Flat Bar (1)



294-98300
Angle 2x2" (1)



M6 X 20 Cap Head Screw (10)

M5 x 30 Cap Head Screw (4)

M6 x 12 Grub Screw (4)


Cable Tie (10)

M5 x 20 Cap Head Screw (4)

M6 Washer (10)

M5 Washer (4)

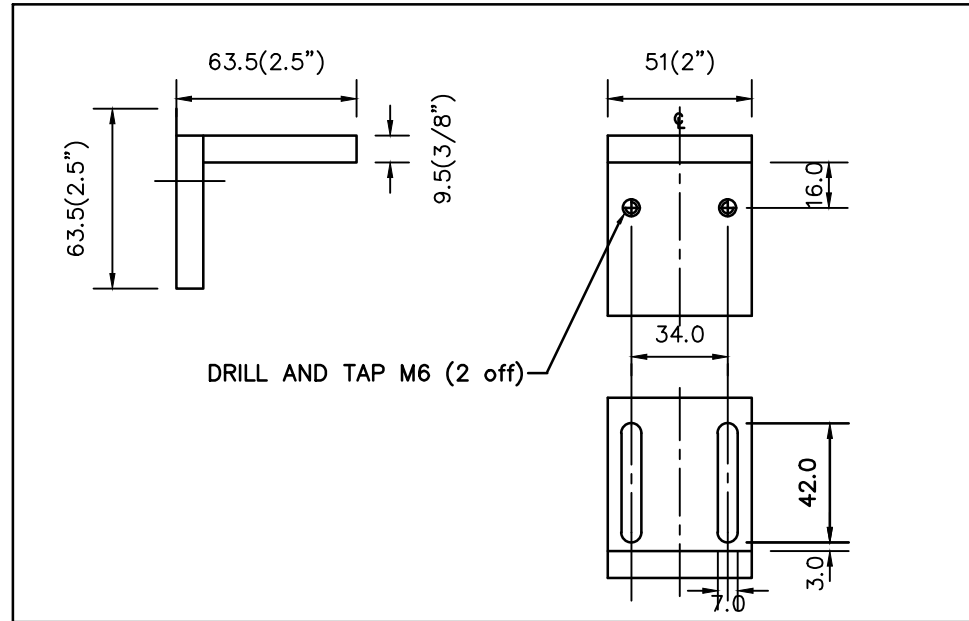
note: some modification of brackets may be necessary during installation.

				TITLE. <i>KIT CONTENTS UBK01-M</i>		MATERIAL/FINISH. -----		SCALE N/A		UNLESS OTHERWISE STATED:- DIMENSIONS ARE IN M.M.		TOLERANCES:- 0 DECIMAL PLACES ±0.5 1 DECIMAL PLACE ±0.2 2 DECIMAL PLACES ±0.1 ANGULAR ±1'	
1	25/02/15	9461	MSC CHANGES FOR INCH TO METRIC	CMH	DRAWN C. WHITMORE	08-01-14	 Leicester England		SHEET 1 OF 3 DRAWING NUMBER 023-81860		REV. ISS. 1		
REV. ISS.	DATE	C.N.No.	ALTERATION	CHECKED	APPROVED	THIS DRAWING IS THE PROPERTY OF NEWALL MEASUREMENT SYSTEMS LIMITED. THE INFORMATION THEREON MAY NOT BE COPIED OR USED WITHOUT WRITTEN PERMISSION							

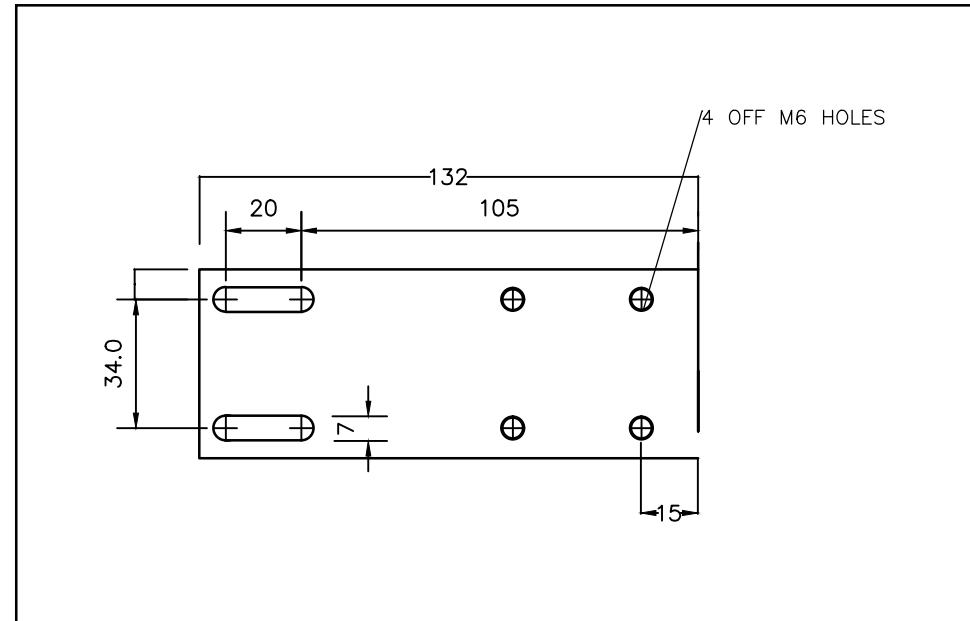
NEWALL

Kit Contents Universal Bracket Kit 1 - Metric Part No: UBK01-M

294-98300
Angle 2x2" (1)



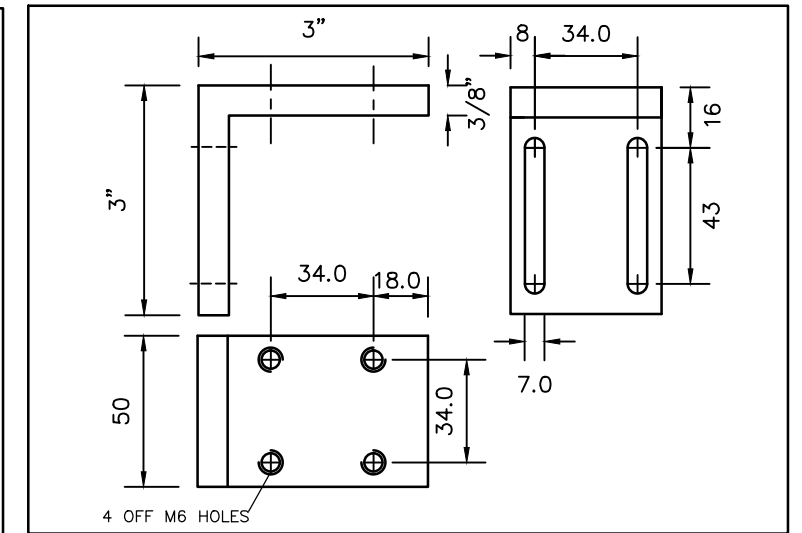
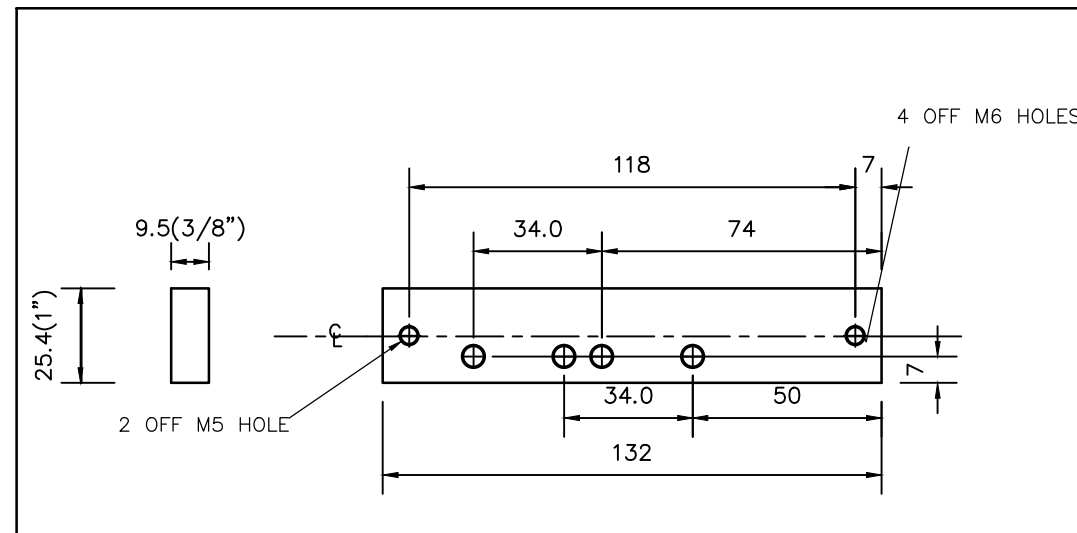
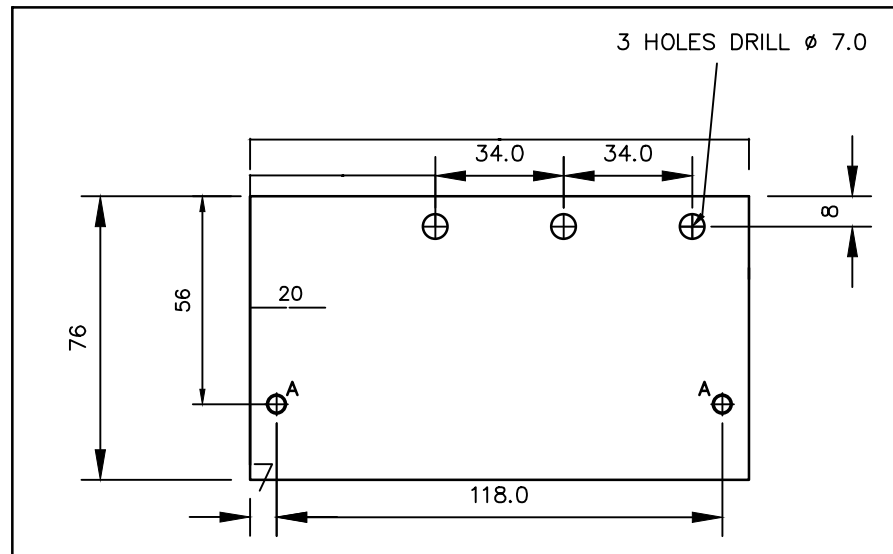
ED-2768/2
Flat Plate Slotted (1)




ED-2768/4
Flat Plate (1)

ED-2768/3
Flat Bar (1)

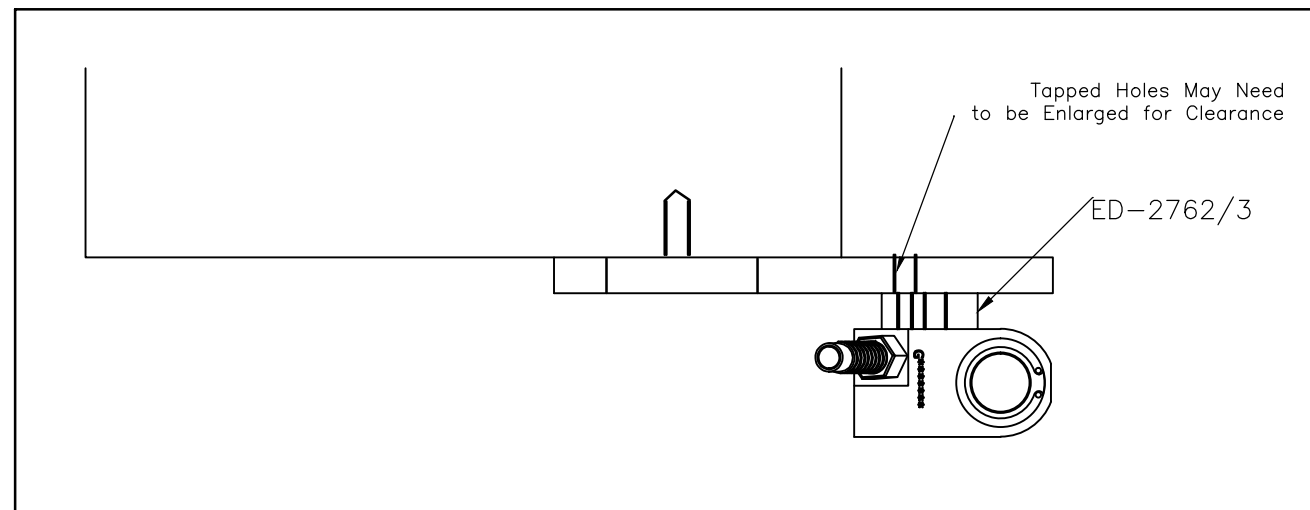
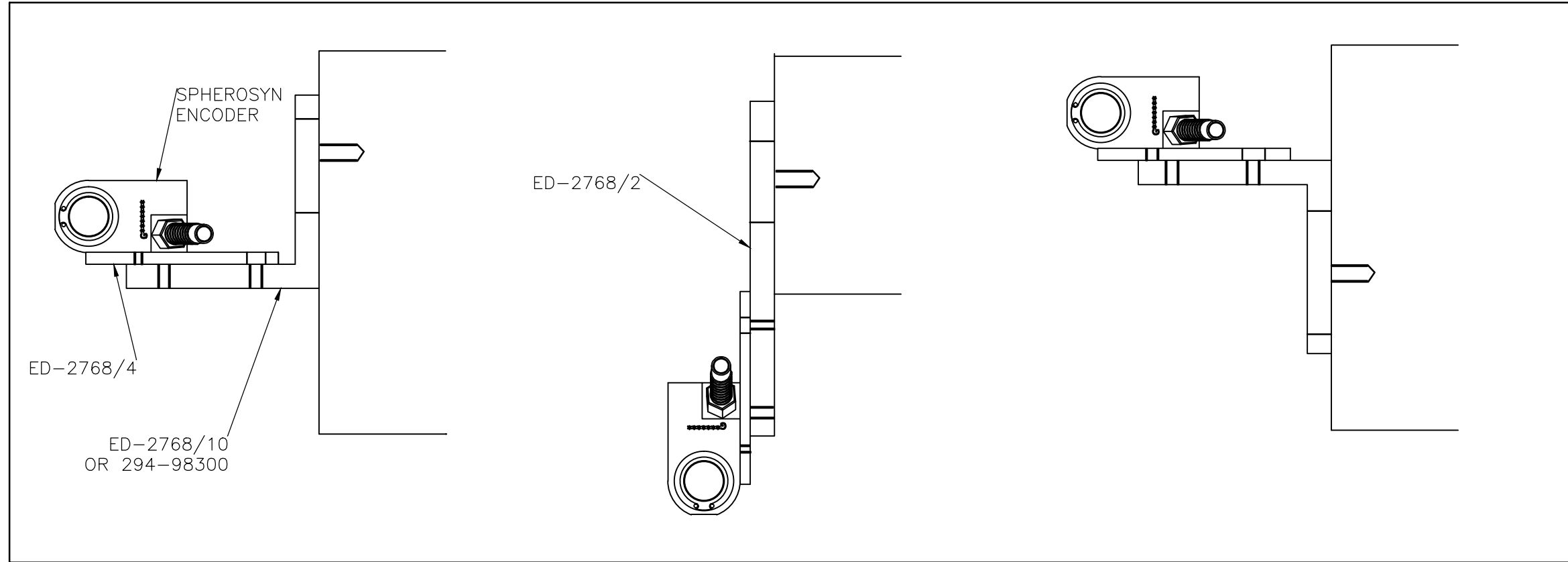
294-98300
Angle 2x2" (1)




				TITLE: <i>KIT CONTENTS UBK01-M</i>		MATERIAL/FINISH: -----		SCALE: N/A		UNLESS OTHERWISE STATED: -		TOLERANCES: - 0 DECIMAL PLACES ± 0.5	
												1 DECIMAL PLACE ± 0.2	
												2 DECIMAL PLACES ± 0.1	
												ANGULAR $\pm 1^\circ$	
1	25/02/15	9461	MSC CHANGES FOR INCH TO METRIC	CWH	DRAWN C.WHITMORE	08-01-14	 Leicester England		THIS DRAWING IS THE PROPERTY OF NEWALL MEASUREMENT SYSTEMS LIMITED. THE INFORMATION THEREON MAY NOT BE COPIED OR USED WITHOUT WRITTEN PERMISSION		SHEET 2 OF 3	DRAWING NUMBER 023-81860	REV. ISS. 1
REV.ISS.	DATE	C.N.No.	ALTERATION	APPROVED									

NEWALL

Kit Contents Universal Bracket Kit 1 - Metric Part No: UBK01-M



				TITLE. <i>KIT CONTENTS UBK01-M</i>			MATERIAL/FINISH. -----		SCALE N/A	UNLESS OTHERWISE STATED: - DIMENSIONS ARE IN M.M.		TOLERANCES: - 0 DECIMAL PLACES ±0.5 1 DECIMAL PLACE ±0.2 2 DECIMAL PLACES ±0.1 ANGULAR ±1°	
1	25/02/15	9461	MISC CHANGES FOR INCH TO METRIC	CWH	DRAWN C. WHITMORE	08-01-14	 Leicester England		SHEET 3 OF 3 DRAWING NUMBER 023-81860		REV. ISS. 1		
REV. ISS.	DATE	C.N.No.	ALTERATION	CHECKED	APPROVED	THIS DRAWING IS THE PROPERTY OF NEWALL MEASUREMENT SYSTEMS LIMITED. THE INFORMATION THEREON MAY NOT BE COPIED OR USED WITHOUT WRITTEN PERMISSION							