

NEWALL

Kit Contents Lathe Bracket Kit Part # LBK02

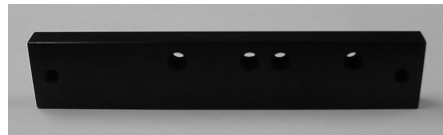
This kit mounts one Spherosyn / SHG Series and one
Microsyn / MHG Series Reader Head.



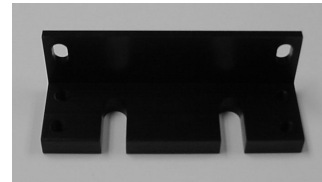
294-22520
Angle - 2x2" (1)



294-22510
Flat Plate
Double Slotted (1)



294-22460
Flat Bar (1)



294-35260
Micro Angle (1)

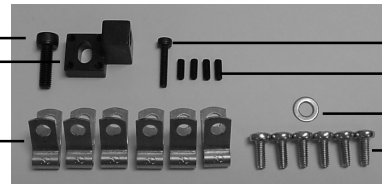


294-35270
Micro Plate (1)

600-65340
Single End Mount Kit (1)

M5 x 16 Socket Head Screw (1)
Single End Mount (1)

Cable Clamp (6)



M3 x 16 Socket Head Screw (1)

M3 x 8 Set Screw (4)

M5 Washer (1)

M4 x 10 Self Tapping Screw (6)

Tie Wrap (10)

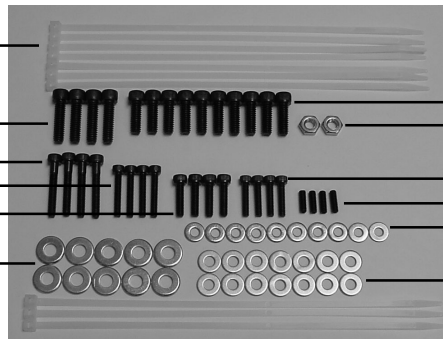
1/4-20 x 1" Socket Head Screw (4)

10-32 x 1 1/4" Socket Head Screw (4)

8-32 x 1" Socket Head Screw (4)

10-32 x 3/4" Socket Head Screw (4)

1/4" Washer (10)



1/4-20 x 3/4" Socket Head Screw (10)
1/4" Nut (2)

8-32 x 3/4" Socket Head Screw (4)

8-32 x 1/2" Set Screw (4)

#8 Washer (10)

#10 Washer (14)

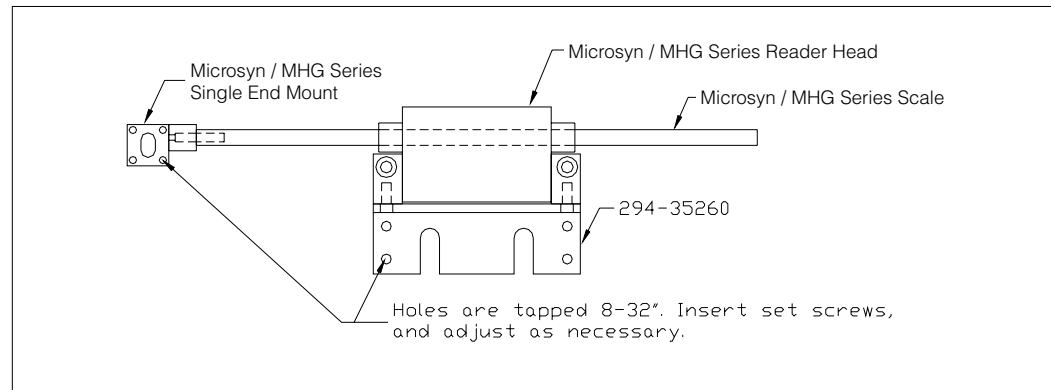
Some modification of bracketry may be necessary during installation.

NEWALL

Installation Drawings Lathe Bracket Kit Part # LBK02

This kit mounts one Spherosyn / SHG Series and one Microsyn / MHG Series Reader Head.

Cross Slide (X-axis)



Longitudinal Axis (Z-axis)

